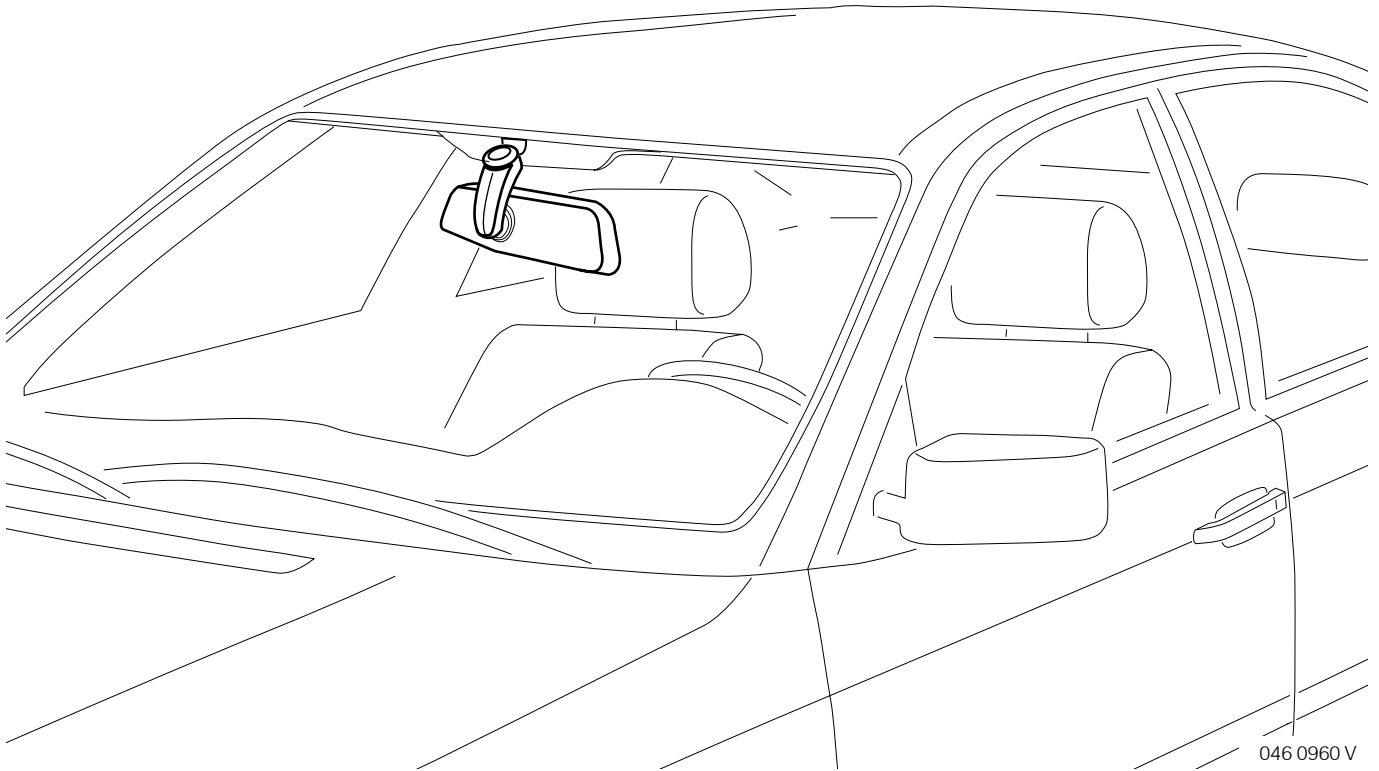




Parts and Accessories Installation Instructions



Universal remote control in the interior rear-view mirror retrofit kit BMW 3 Series (E46), BMW 5 Series (E39), BMW 7 Series (E38)

The installation time is approx. 0.75 hours, but this may vary depending on the condition of the car and the equipment in it.

Retrofit kit No. 61 31 0 148 128

Contents

Section	Page
Important information.....	3
1. Preparations.....	4
2. Connection diagram.....	5
3. Cabling diagram	6
4. To install and connect the wiring harness	7
5. Concluding work	8
6. Circuit diagram	9

Important information

Only for use in the BMW dealer organisation.

Target group

The target group for these installation instructions is specialist personnel trained on BMW/MINI cars with the appropriate specialist knowledge.

All work must be completed using the latest BMW repair manuals, circuit diagrams, servicing manuals and work instructions in a rational order using the prescribed tools (special tools) and observing current health and safety regulations.

Installation information

Ensure that the cables/lines are not kinked or damaged as you install them in the car.

If the specified PIN numbers are occupied, bridges, double crimps or twin-lead terminals must be used.

Special tools required

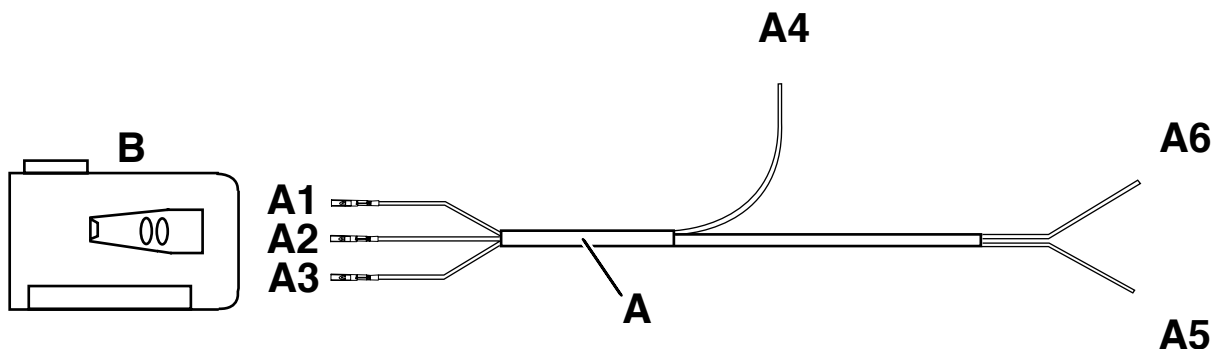
None

1. Preparations

	TIS instruction No.
Conduct a brief test	---
Disconnect the negative pole of the battery	12 00 ...
Lower the front headlining	---

The following components must be removed first of all:	
A pillar trim on the right	---
Glove compartment	---
Interior mirror	---

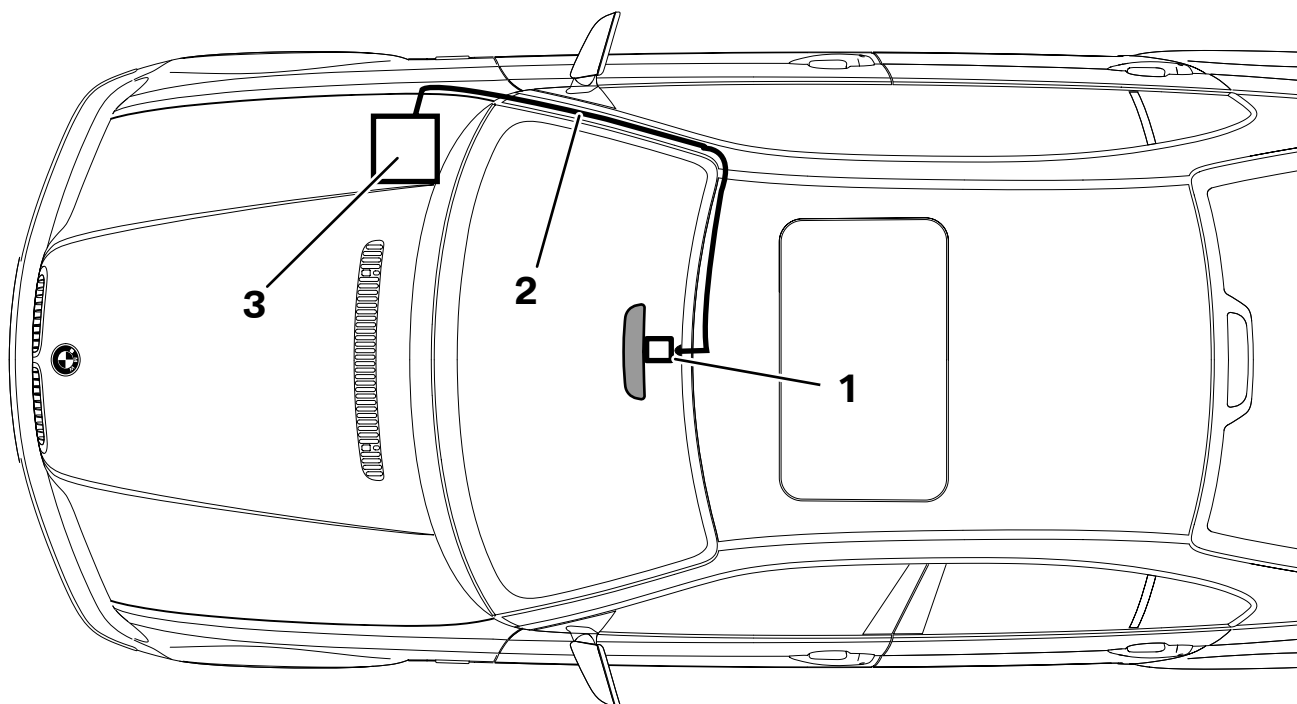
2. Connection diagram



046 0966 V

Item	Description	Signal	Cable colour / Cross-section	Connection location in the car	Abbreviation / Slot
A	Additional wiring harness	---	---	---	---
B	Black 10-pin plug	---	---	To interior rear-view mirror with automatic anti-dazzle facility	X18246
A1	Blade terminal contact	Terminal 15	GN/WS 0.35 mm ²	To black 10-pin plug	X18246 PIN 3
A2	Blade terminal contact	Earth	BR/SW 0.35 mm ²	To black 10-pin plug	X18246 PIN 10
A3	Blade terminal contact	Reversing signal	BL/GE 0.35 mm ²	To black 10-pin plug	X18246 PIN 1
A4	Open contact	---	BR/SW 0.35 mm ²	To BR/SW cable behind the glove box	---
A5	Open contact	---	BL/GE 0.35 mm ²	To BL/GE cable behind the glove box	---
A6	Open contact	---	GN/WS 0.35 mm ²	To GN/WS cable behind the glove box	---

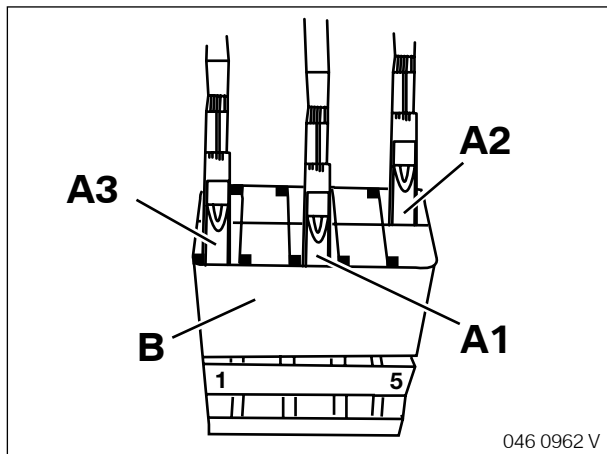
3. Cabling diagram



046 0961 V

- 1 Black 10-pin plug on the interior rear-view mirror
- 2 Additional wiring harness installation route
- 3 Connection area behind the glove box

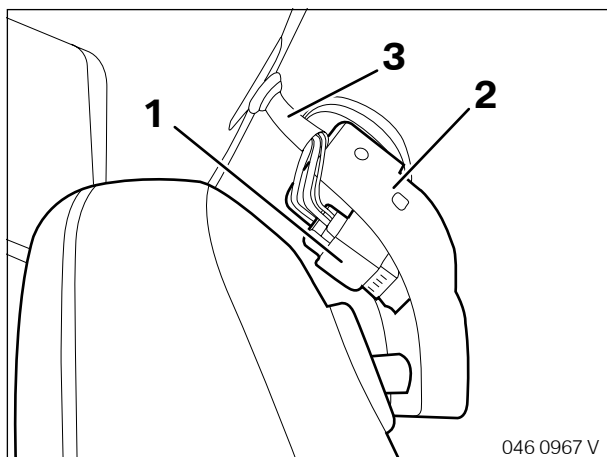
4. To install and connect the wiring harness



Install the interior rear-view mirror with automatic anti-dazzle facility (TIS No. 51 16 063). ◀

Connect branches **A1-A3** to the 10-pin plug (B) **X18246** as follows:

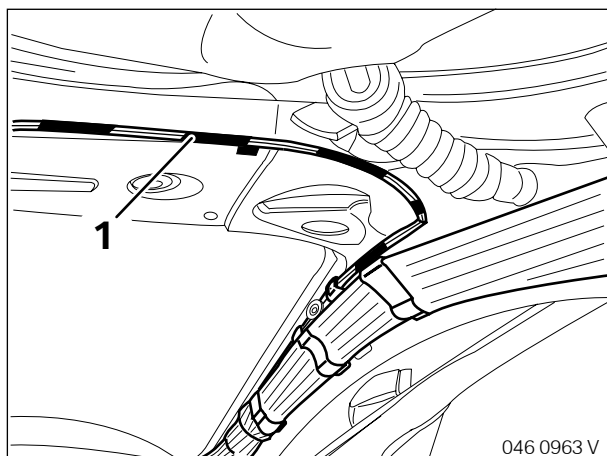
Branch **A1** to slot **3**
Branch **A2** to slot **10**
Branch **A3** to slot **1**.



Connect the black 10-pin plug (1) to the interior rear-view mirror with automatic anti-dazzle facility (2).

Pull the wiring harness through the grommet (3).

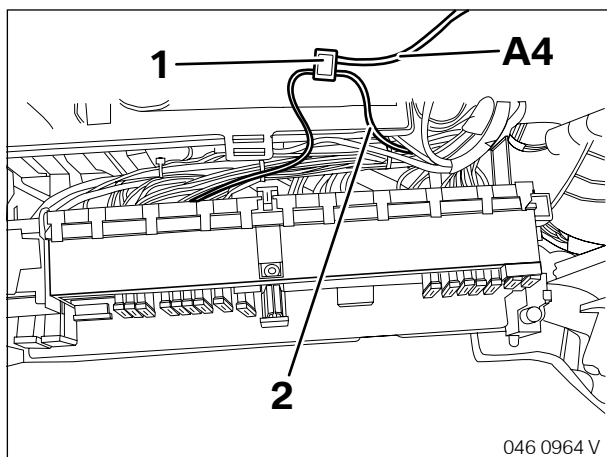
Lay the wiring harness in the cable holders under the headlining and then to the right A pillar.



Lay the wiring harness (1) in the cable holders along the A pillar to the glove box.



The wiring harness (1) must not interfere with the deployment area of the head airbag. ◀



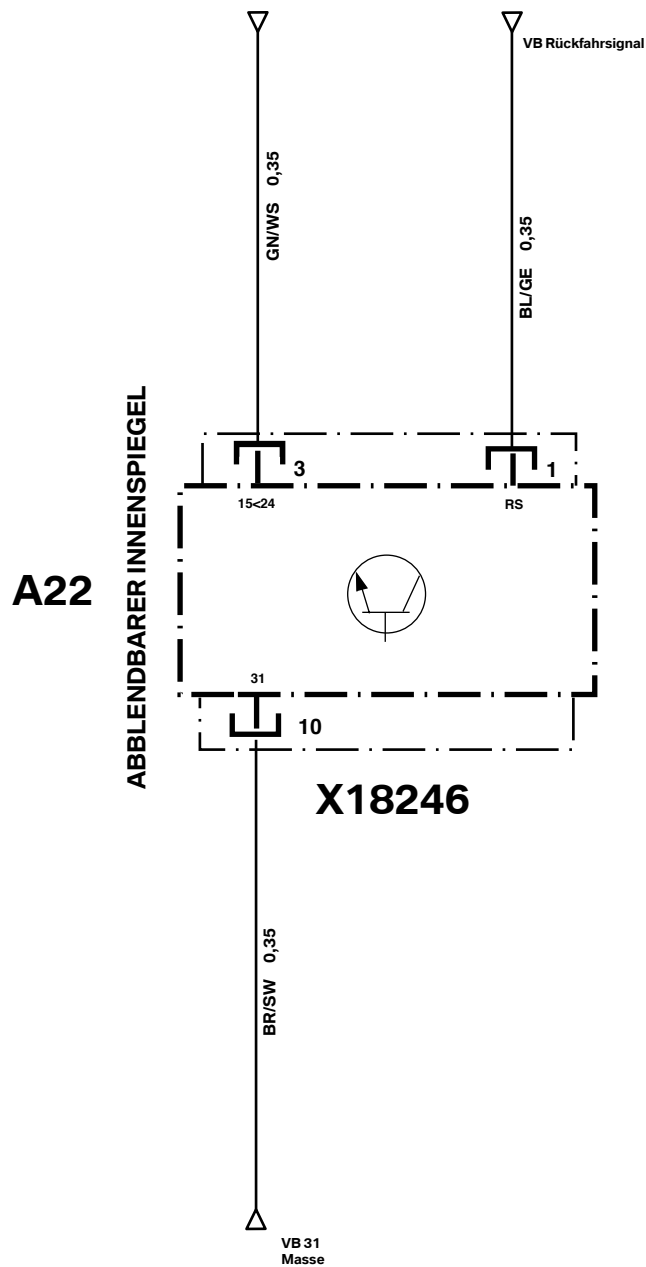
Connect branch **A4** to a BR/SW cable in parallel with a miniature connector (1).

In the same way connect branch **A5** in parallel to a BL/GE cable and branch **A6** in parallel to a GN/WS cable.

5. Concluding work

This interior rear-view mirror with automatic anti-dazzle facility screen monitor does not require coding. To check the function reconnect the battery. Switch on the ignition and dipped headlights. Cover the photocell on the rear of the mirror with adhesive tape. Now shine a torch at the photocell in the interior rear-view mirror. The interior rear-view mirror must not dip into its anti-dazzle position.

6. Circuit diagram



046 0965 V

6. Circuit diagram

Legend

A22 Anti-dazzle interior rear-view mirror

X18246 Black 10-pin plug

Reversing signal connector

Terminal 15 connector

Connector 31 earth

Cable colours

SW black

GN green

BR brown

GE yellow

BL blue

WS white