



# Parts and Accessories. Installation Instructions.

## Retrofit CD Changer BMW 5 Series (E60)

**Retrofit kit No.:** 65 12 0 301 305  
65 12 0 302 342

### Installation time

The installation time is approx 1.75 hours for cars without SA 694 and approx. 1.0 hour for cars with SA 694, but this may vary depending on the condition of the car and the equipment in it.

### Important information

These installation instructions are primarily designed for use within the BMW dealership organisation and by authorised BMW service companies;

In any event the target group for these installation instructions is specialist personnel trained on BMW cars with the appropriate specialist knowledge.

All work must be completed using the latest BMW repair manuals, circuit diagrams, servicing manuals and work instructions in a rational order using the prescribed tools (special tools) and observing current health and safety regulations.

Ensure that the cables/lines are not kinked or damaged as you install them in the car. The costs incurred as a result of this will not be reimbursed by BMW AG.

Additional cables/lines that you install must be secured with cable ties.

If the specified PIN chambers are occupied, bridges, double crimps or twin-lead terminals must be used.

Before you install the retrofit system, test the control unit status with the CIP (coding, customising, programming) test program. If the test detects incorrect statuses in one or more control units, these must be updated first using the "Load software" function.

All the figures show LHD cars, proceed accordingly on RHD cars.

Pictograms:



denotes instructions that draw your attention to dangers.



denotes instructions that draw your attention to special features.

◀ denotes the end of the instruction or caution text.

See the EBA CD or Aftersales Portal for explanations of the pictograms.

Do not archive the hard copy of these installation instructions since daily updates are made by Aftersales Portal.

Subject to technical modifications.

**Installation information**

When routing fibre optic cables, make sure the bending radius is no less than 25 mm.

After the installation work the retrofit kit must be programmed / coded using DISPlus or GT-1 via the **Retrofit** path.

**List of special equipment**

The following special equipment must be taken into consideration when installing the retrofit kit:

**SA 694** CD changer preparation

**Special tools required**

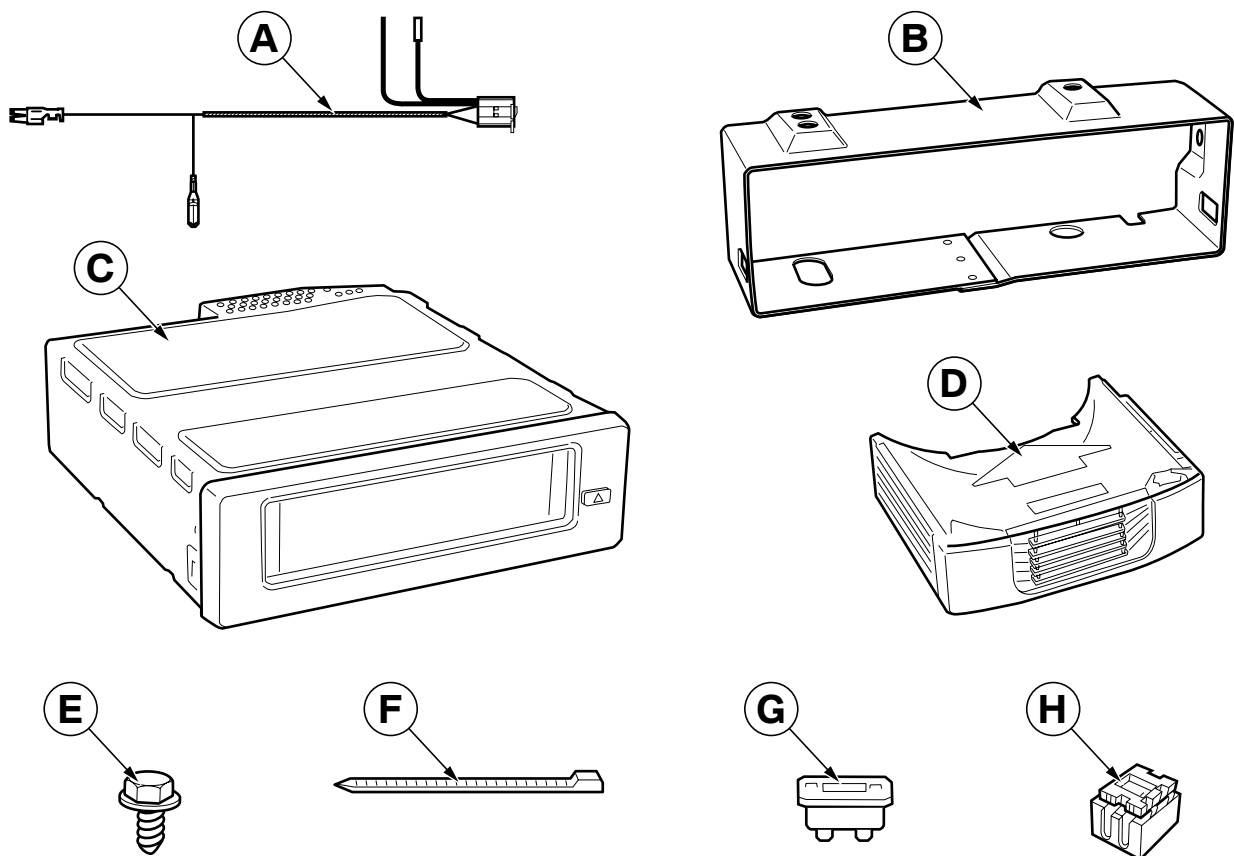
Folding leg (00 9 321)

Wedge (00 9 319)

## Contents

Section	Page
1. Parts list .....	4
2. Preparations.....	5
3. CD changer wiring harness connection diagram (cars without SA 694 only) .....	6
4. Installation and routing diagram .....	7
5. To install and connect the wiring harness (cars without SA 694 only).....	8
6. To install and connect the CD changer (cars without SA 694 only) .....	10
7. To install and connect the CD changer (cars with SA 694 only) .....	11
8. Concluding work.....	12
9. Circuit diagram .....	13

## 1. Parts list



060 0009 Z

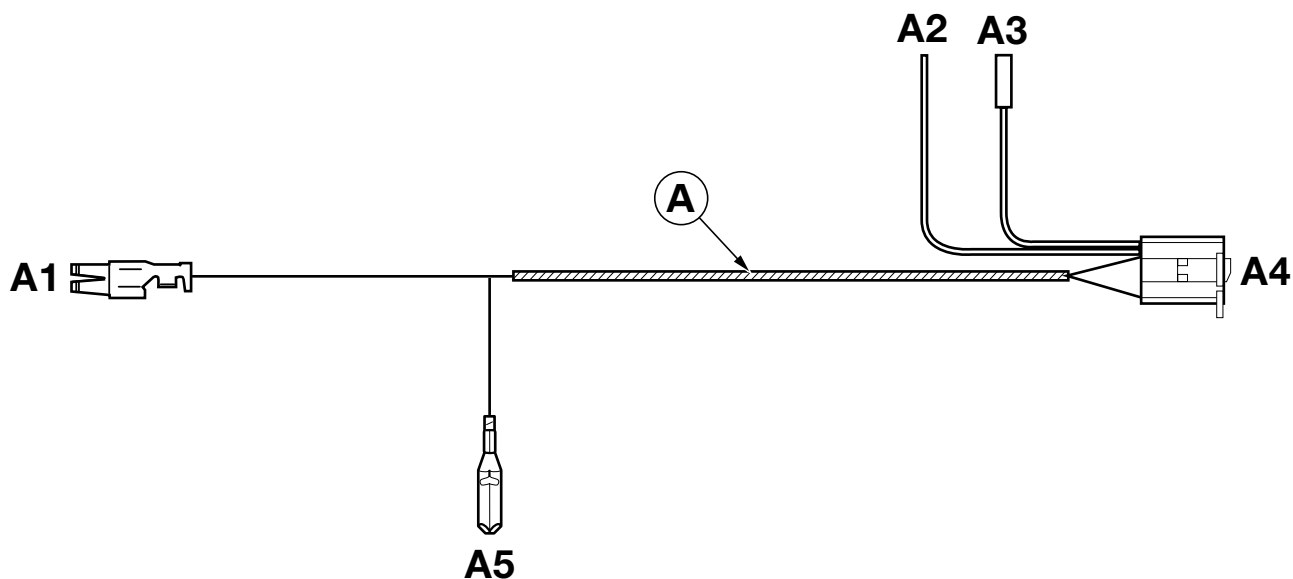
### Legend

- A CD changer wiring harness (cars without SA 694 only)
- B CD changer holder
- C CD changer
- D CD magazine
- E Self-tapping screws, 5 x 12 mm (3x)
- F Cable tie (10x) (cars without SA 694 only)
- G Fusible link 10 A (cars without SA 694 only)
- H Miniature connector (cars without SA 694 only)

## 2. Preparations

	TIS No.
Conduct a brief test	---
Disconnect the negative pole of the battery	12 00 ...
<b>The following components must be removed first of all</b>	
Glove compartment, complete	51 00 ...
Release the fuse holder behind the glove compartment	---
<b>The following components must also be removed from cars without SA 694</b>	
Trim for instrument panel at the bottom right	51 45 181
Release the joint connector box above the glove compartment	---
Décor trim on right of instrument panel	51 45 380
Central instrument panel cover	51 45 310
M-Audio system controller (M-ASK)	65 12 200

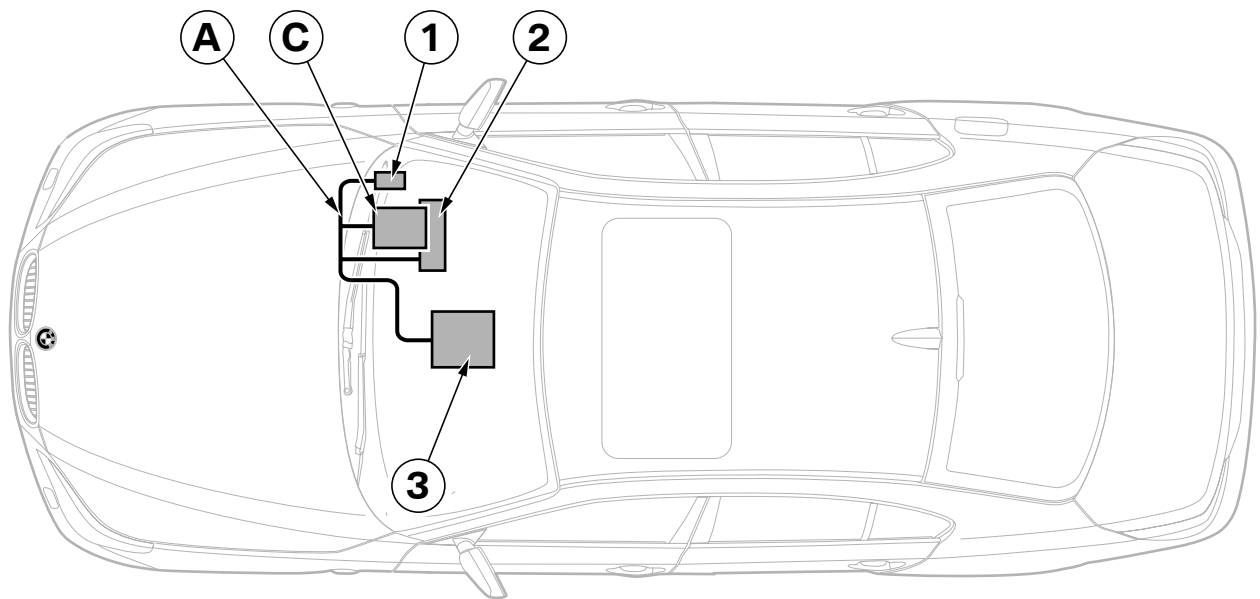
### 3. CD changer wiring harness connection diagram (cars without SA 694 only)



060 0010 Z

Item	Description	Signal	Cable colour / Cross-section	Connection location in the car	Abbreviation / Slot
A	CD changer wiring harness	---	---	---	---
A1	Blade terminal contact	Terminal 30	RT/VI 0.75 mm <sup>2</sup>	To fuse holder <b>A41</b> , fuse F38	X11006 PIN 5
A2	Fibre optic cable	MOST-OUT	GN 1.0 mm <sup>2</sup>	To MOST-IN connection on the M-ASK	X13815 PIN 1
A3	Fibre optic cable	MOST-IN	GN 1.0 mm <sup>2</sup>	Connect to M-ASK using the disconnected fibre optic cable	---
A4	Black socket casing	---	---	To CD changer	X18180
A5	Joint connector contact	Terminal 31	BR 0.75 mm <sup>2</sup>	To joint connector above the glove compartment	X18740

## 4. Installation and routing diagram

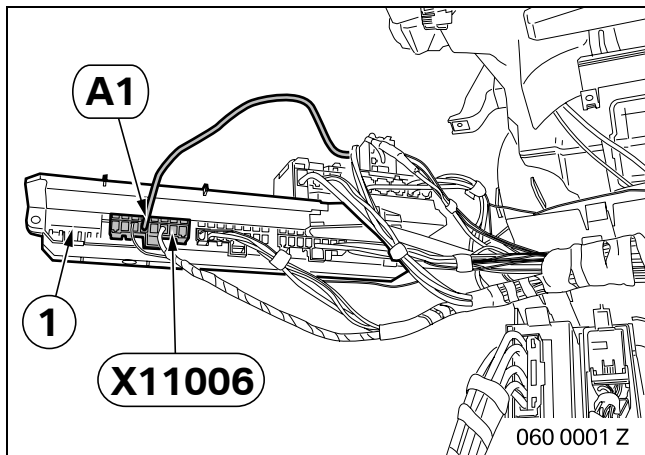


060 0011 Z

### Legend

- A CD changer wiring harness
- C CD changer
  
- 1 Joint connector **X18740**
- 2 Fuse holder **A41**
- 3 M-Audio system controller (M-ASK) **N38**

## 5. To install and connect the wiring harness (cars without SA 694 only)

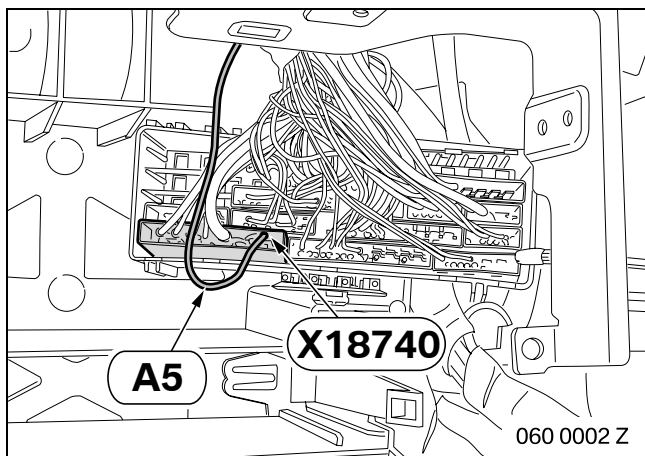


Disconnect violet 8-pin plug **X11006** from the fuse holder (1).

Connect branch **A1** to plug **X11006** in PIN 5.

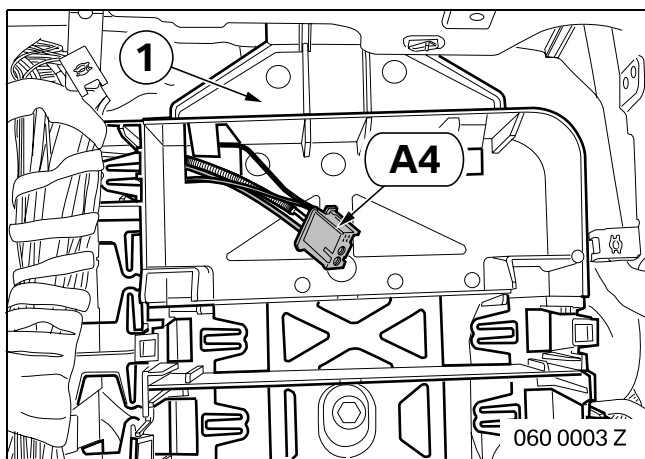
Connect plug **X11006** to the fuse holder (1).

Insert fusible link **G** into slot 38 of the fuse holder (1).



Connect branch **A5** to joint connector **X18740**, brown cable.

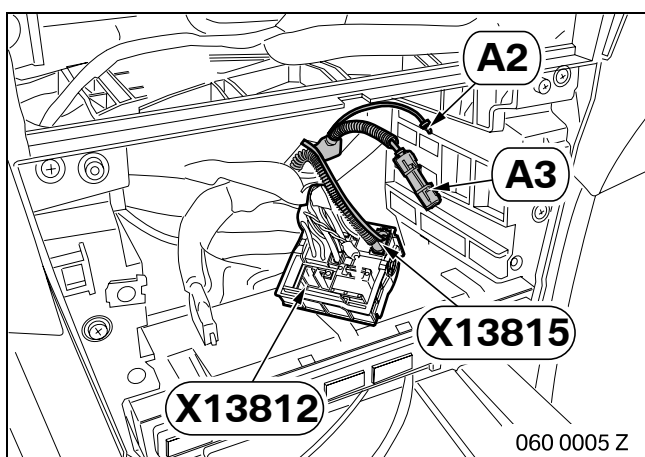
Insert the joint connector box **X18740** into the holder.




Release the control unit holder (1).

Thread branch **A4** through the opening at the top left into the control unit holder (1).

Secure the control unit holder.



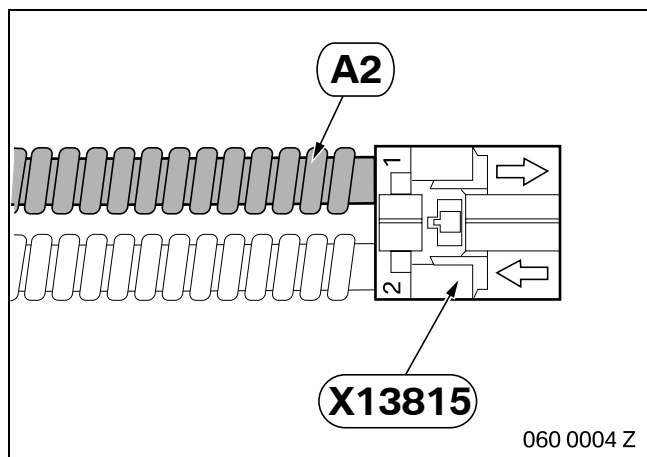
 Do not bend the fibre optic cable beyond its bending radius limit of 25 mm. ◀

Route branches **A2** and **A3** to the radio shaft.

Unclip plug **X13815** from plug **X13812**.

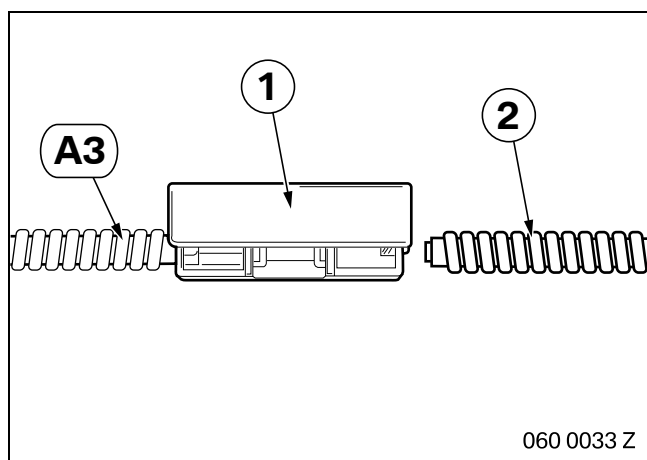


5. To install and connect the wiring harness (cars without SA 694 only)



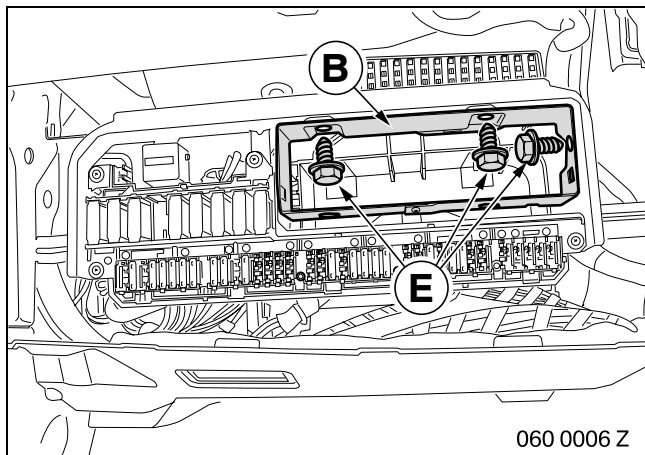
Disconnect the incoming fibre optic cable from plug **X13815** PIN 1 and connect branch **A2**.

Clip plug **X13815** into the radio plug and connect to the M-Audio system controller.

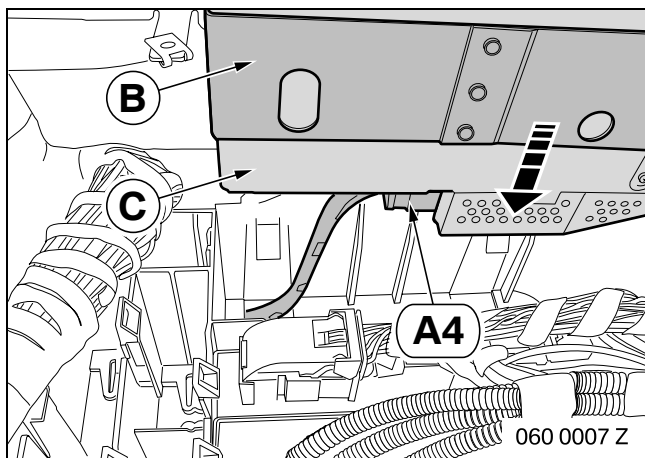


Unlock the fibre optic cable connector (1) on branch **A3** and connect the disconnected fibre optic cable (2).

## 6. To install and connect the CD changer (cars without SA 694 only)



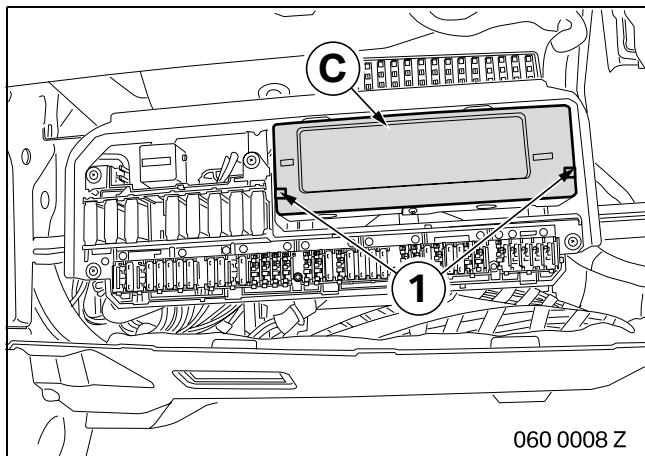
Secure CD changer holder **B** to the metal frame of the fuse box at the top right using self-tapping screws **E**.



Do not bend the fibre optic cable beyond its bending radius limit of 25 mm. ◀

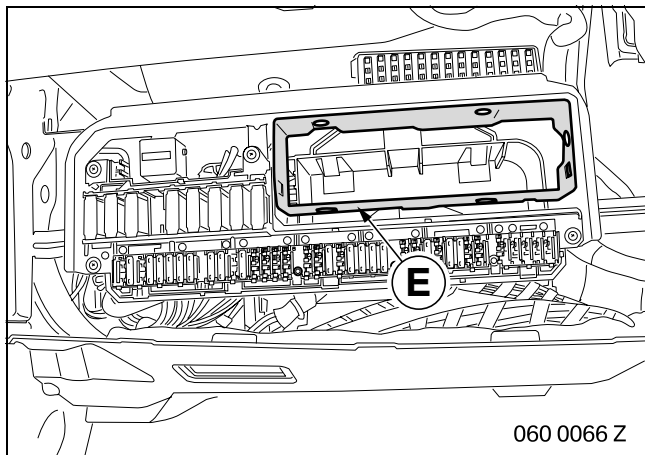
Push CD changer **C** halfway into holder **B** and connect branch **A4** to CD changer **C**.

Carefully push CD changer **C** into holder **B** ensuring that you do not kink the fibre optic cable.

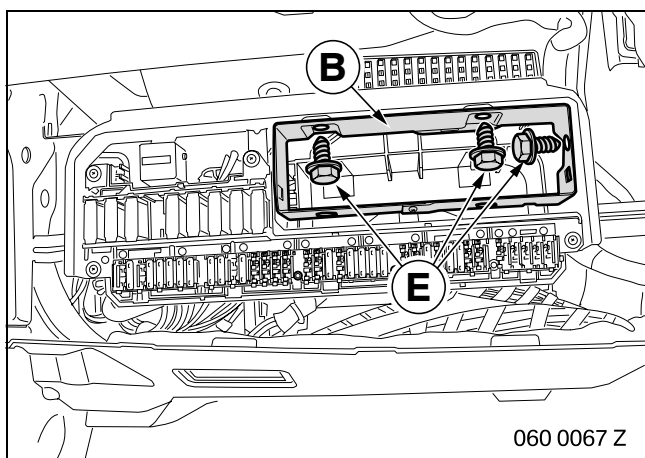


Secure CD changer **C** to the edge of the trim in its installation position using the two Allen bolts (1).

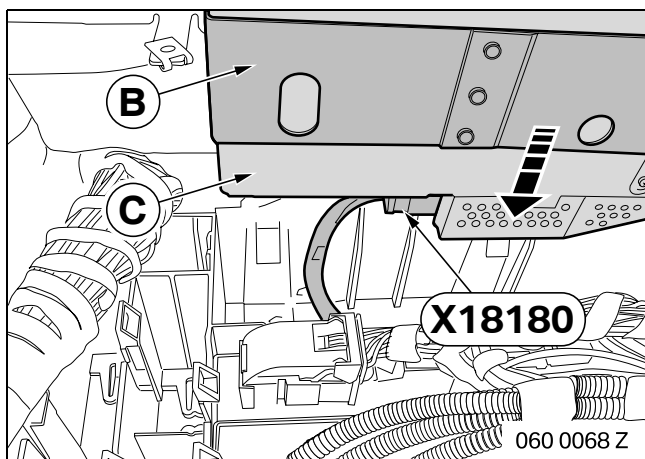
## 7. To install and connect the CD changer (cars with SA 694 only)



Unfasten tied back black plug **X18180** of the CD changer preparation from the standard wiring harness. Pull off the MOST flash plug if it is present.



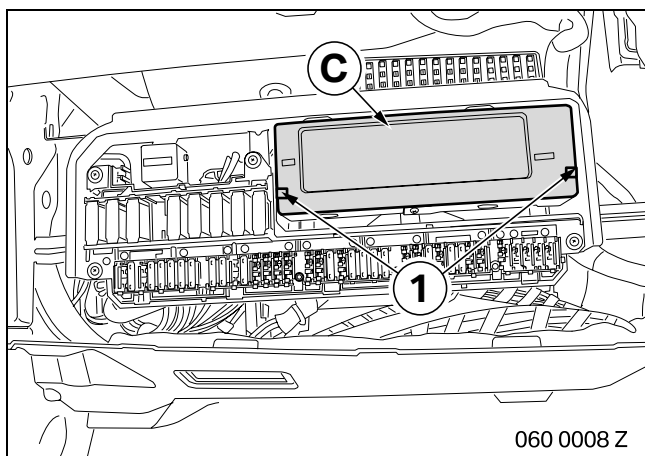
Secure CD changer holder **B** to the metal frame of the fuse box at the top right using self-tapping screws **E**.



Do not bend the fibre optic cable beyond its bending radius limit of 25 mm. ◀

Push CD changer **C** halfway into holder **B** and connect plug **X18180** to CD changer **C**.

Carefully push CD changer **C** into holder **B** ensuring that you do not kink the fibre optic cable.



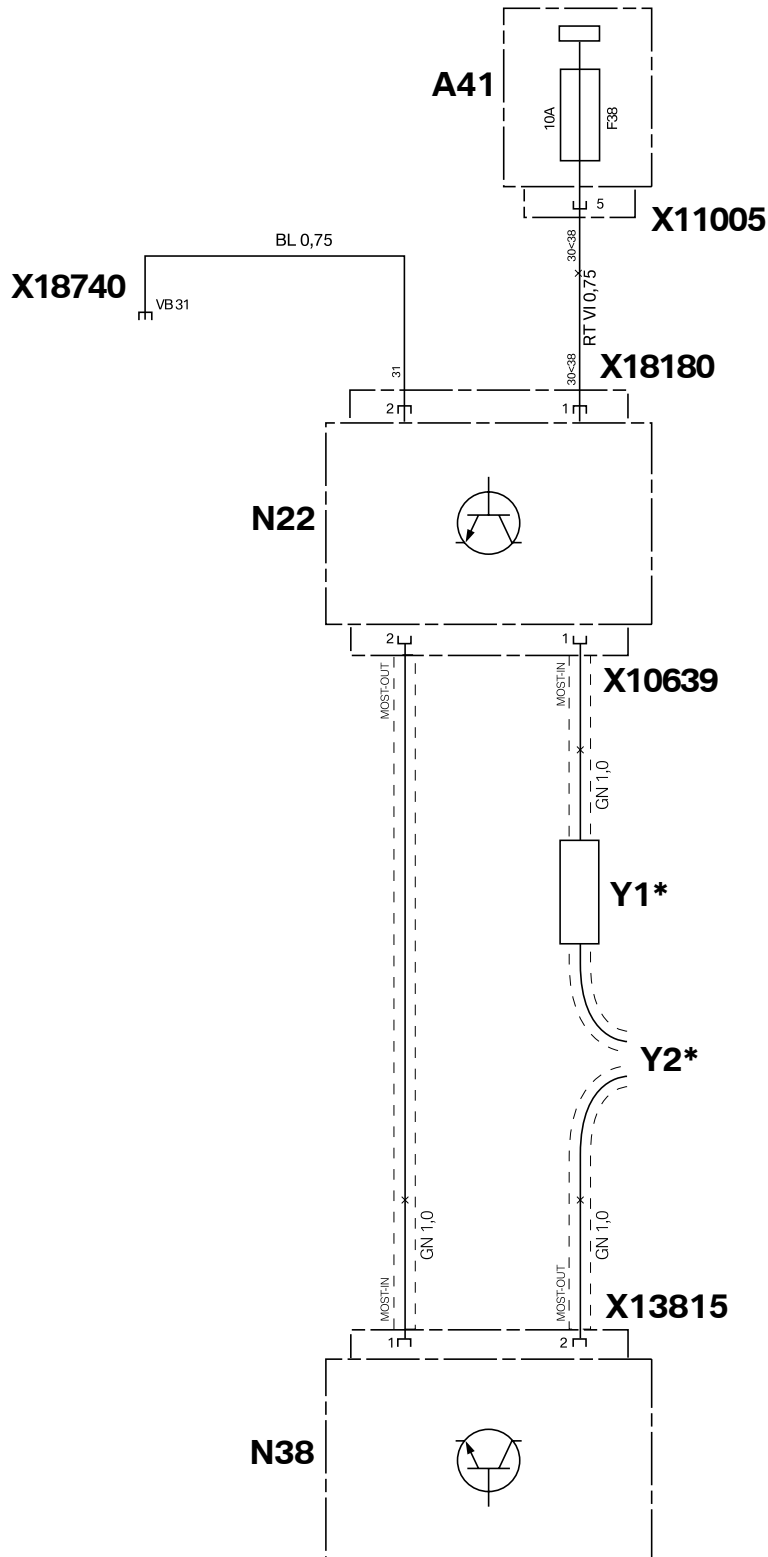
Secure CD changer **C** to the edge of the trim in its installation position using the two Allen bolts (1).

## 8. Concluding work

- Connect the battery
- Program/encode the CD changer using DISPlus or GT-1 via the **Retrofit** path.
- Conduct a brief test
- Conduct a function test
- Re-assemble the car

## 9. Circuit diagram

Cars without SA 694 only



060 0012 Z

## 9. Circuit diagram

### Legend

**A41** Fuse holder, fuse F38, 10 A

**N22** CD changer

**N38** M-Audio system controller (M-ASK)

**X10639** Black 2-pin plug, fibre optic cable to CD changer, connected to plug X18180

**X11006** Violet 8-pin plug, to fuse holder

**X13815** Black 2-pin plug, fibre optic cable to M-ASK, connected to plug X13812

**X18180** Black plug, CD changer

**X18740** Terminal 31 joint connector

**Y1\*** Fibre optic cable connector

**Y2\*** To standard wiring harness

All the designations marked with an asterisk (\*) apply only to these installation instructions or this circuit diagram

### Cable colours

BR Brown

GE Yellow

GN Green

RT Red

SW Black

VI Violet

### Cars with SA 694 only

The latest circuit diagram is shown in the DIS.